

INTERIOR ALUMINIUM PROFILE  
& WARDROBE SLIDING SYSTEMS

QUALITY HARDWARE PRODUCTS TO  
IMPROVE LIFESTYLE



SINCE  
1997

balentine®  
ARCHITECTURAL FURNITURE FITTINGS

## PRODUCT PROFILE

Balentine is a brand which reflects style that defines luxury in your homes. The company strives to offer a unique range of Architectural Fittings of Aluminium Profiles & Accessories.

The product range is produced to keep up with high international standards of styling with idiosyncrasy of Indian concepts. Highly technology and innovation driven products which are specially designed for Indian homes.

Balentine is one of the best brand in hardware market which has successful products. Company set up with an aim to fulfil homely requirements of an Indian consumer. The product range thrive to deliver uncompromising quality.

Keeping recent trends and utility in mind, the company has designed its range of Aluminium Profiles in accordance with the needs of the Upcoming century end user with the launch of its all new products. Carving a niche for them in this product category, Edge has westernised its products by meeting European styling standards with Indian concepts.

# INDEX

---

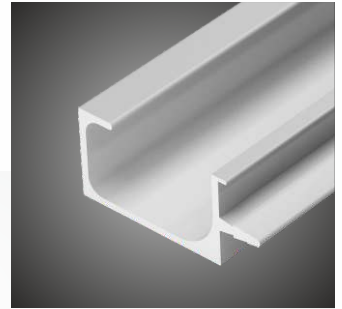
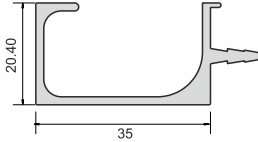
**ALUMINIUM** 04  
PROFILE ▾

**SLIDING** 19  
SYSTEMS ▾

**HARDWARE** 32  
ACCESSORIES ▾

**BLAP-01**

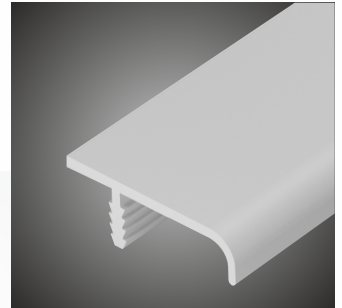
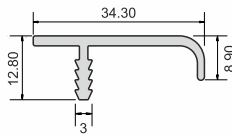
Aluminium Handle Profile



**FINISH** : Aluminium Anodized, Brushed CP, Brushed SS, Glossy CP, Champagne, Black, Rose Gold, Gold, Sapphire Grey  
**LENGTH** : 3 Meters

**BLAP-02**

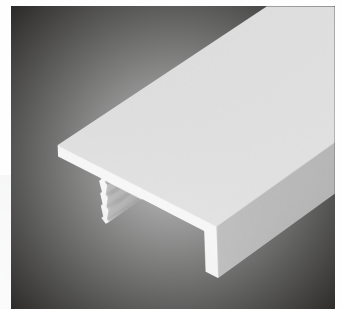
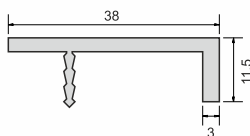
Aluminium Handle Profile



**FINISH** : Aluminium Anodized, Brushed CP, Brushed SS, Glossy CP, Champagne, Black, Rose Gold, Gold, Sapphire Grey  
**LENGTH** : 3 Meters

**BLAP-03**

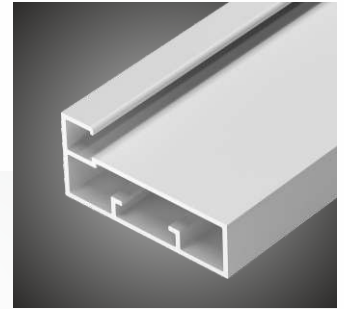
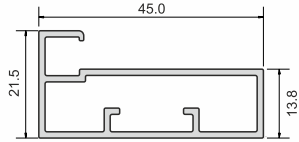
Aluminium Handle Profile



**FINISH** : Aluminium Anodized, Brushed CP, Brushed SS, Glossy CP, Champagne, Black, Rose Gold, Gold, Sapphire Grey  
**LENGTH** : 3 Meters

**BLAP-04**

Aluminium Frame Profile

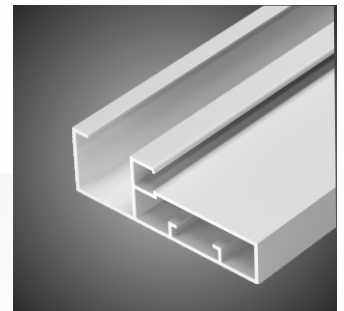
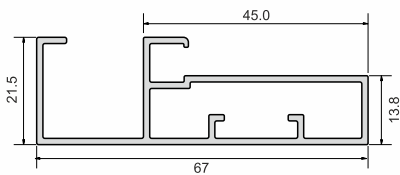


**FINISH** : Aluminium Anodized, Brushed CP, Brushed SS, Glossy CP, Champagne, Black, Rose Gold, Gold, Sapphire Grey

**LENGTH** : 3 Meters | **SUITABLE FOR** : 4 MM Glass | **RELATED FITTING** : BLAS-01

**BLAP-05**

Aluminium Handle Profile

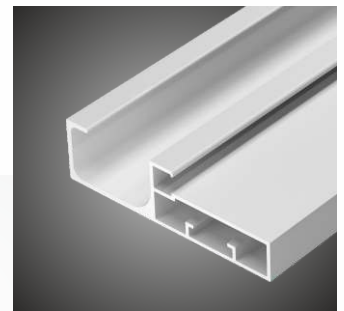
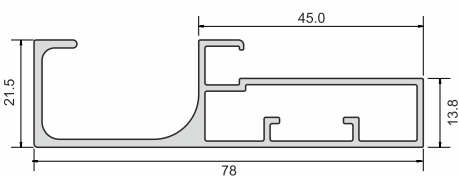


**FINISH** : Aluminium Anodized, Brushed CP, Brushed SS, Glossy CP, Champagne, Black, Rose Gold, Gold, Sapphire Grey

**LENGTH** : 3 Meters | **SUITABLE FOR** : 4 MM Glass | **RELATED FITTING** : BLAS-01

**BLAP-06**

Aluminium Handle Profile

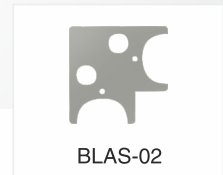
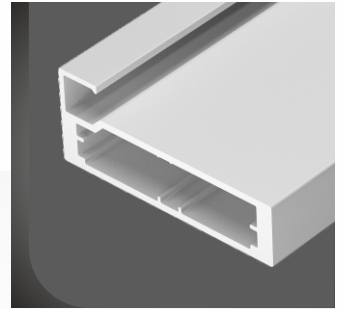
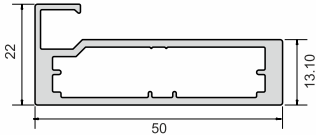


**FINISH** : Aluminium Anodized, Brushed CP, Brushed SS, Glossy CP, Champagne, Black, Rose Gold, Gold, Sapphire Grey

**LENGTH** : 3 Meters | **SUITABLE FOR** : 4 MM Glass | **RELATED FITTING** : BLAS-01

**BLAP-07**

Aluminium Frame Profile

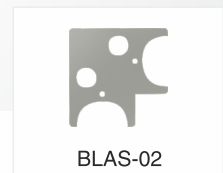
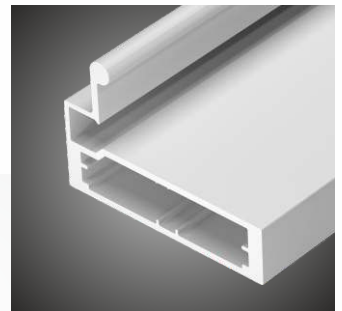
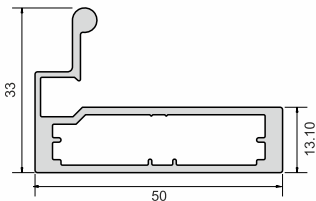


**FINISH :** Aluminium Anodized, Brushed CP, Brushed SS, Glossy CP, Champagne, Black, Rose Gold, Gold, Sapphire Grey

**LENGTH :** 3 Meters | **SUITABLE FOR :** 6 MM Glass | **RELATED FITTING :** BLAS-02

**BLAP-08**

Aluminium Handle Profile

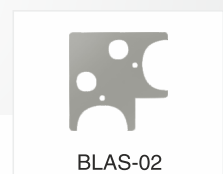
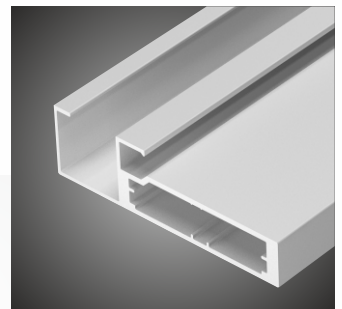
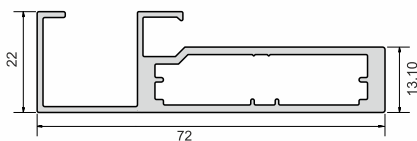


**FINISH :** Aluminium Anodized, Brushed CP, Brushed SS, Glossy CP, Champagne, Black, Rose Gold, Gold, Sapphire Grey

**LENGTH :** 3 Meters | **SUITABLE FOR :** 6 MM Glass | **RELATED FITTING :** BLAS-02

**BLAP-09**

Aluminium Handle Profile

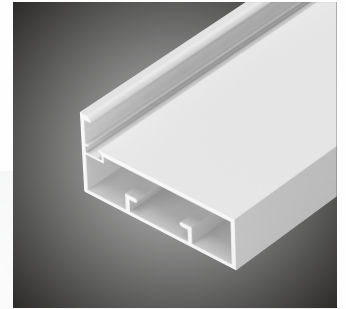
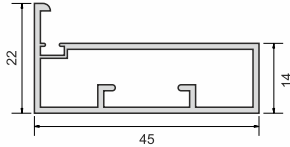


**FINISH :** Aluminium Anodized, Brushed CP, Brushed SS, Glossy CP, Champagne, Black, Rose Gold, Gold, Sapphire Grey

**LENGTH :** 3 Meters | **SUITABLE FOR :** 6 MM Glass | **RELATED FITTING :** BLAS-02

### BLAP-10

Aluminium Frame Profile

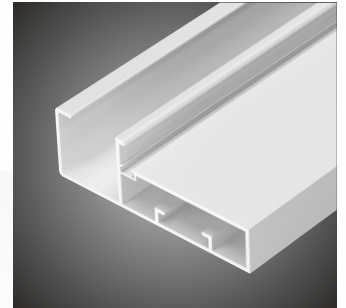
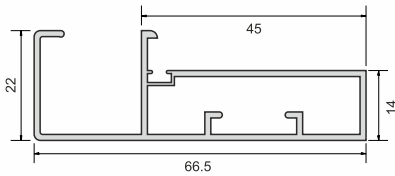


**FINISH** : Aluminium Anodized, Brushed CP, Brushed SS, Glossy CP, Champagne, Black, Rose Gold, Gold, Sapphire Grey

**LENGTH** : 3 Meters | **SUITABLE FOR** : 4-5 MM Glass | **RELATED FITTING** : BLAS-01

### BLAP-11

Aluminium Handle Profile

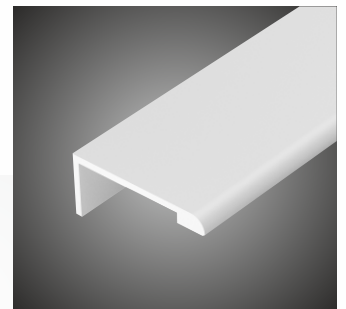
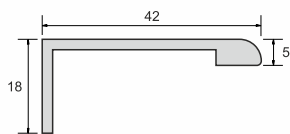


**FINISH** : Aluminium Anodized, Brushed CP, Brushed SS, Glossy CP, Champagne, Black, Rose Gold, Gold, Sapphire Grey

**LENGTH** : 3 Meters | **SUITABLE FOR** : 4-5 MM Glass | **RELATED FITTING** : BLAS-01

### BLAP-12

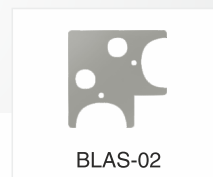
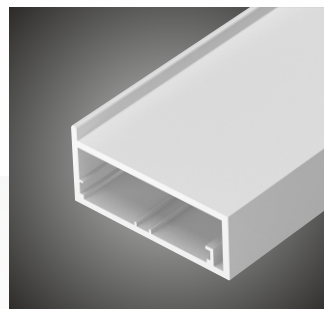
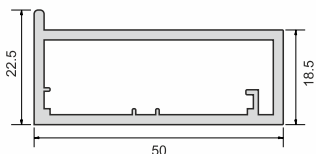
Aluminium Handle Profile



**FINISH** : Aluminium Anodized, Brushed CP, Brushed SS, Glossy CP, Champagne, Black, Rose Gold, Gold, Sapphire Grey  
**LENGTH** : 3 Meters

**BLAP-13**

Aluminium Frame Profile

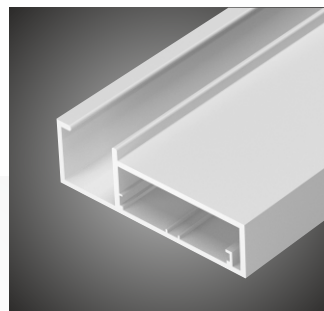
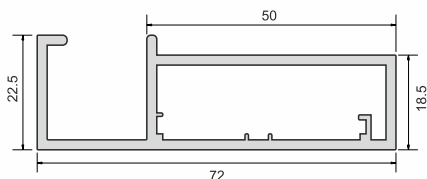


**FINISH** : Aluminium Anodized, Brushed CP, Brushed SS, Glossy CP, Champagne, Black, Rose Gold, Gold, Sapphire Grey

**LENGTH** : 3 Meters | **SUITABLE FOR** : 4-5 MM Glass | **RELATED FITTING** : BLAS-02

**BLAP-14**

Aluminium Handle Profile

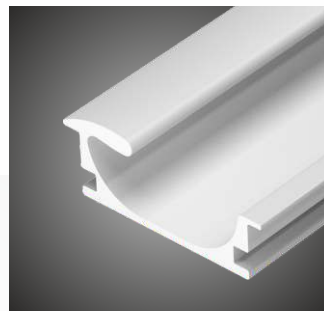
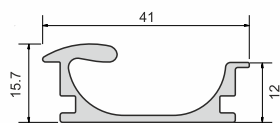


**FINISH** : Aluminium Anodized, Brushed CP, Brushed SS, Glossy CP, Champagne, Black, Rose Gold, Gold, Sapphire Grey

**LENGTH** : 3 Meters | **SUITABLE FOR** : 4-5 MM Glass | **RELATED FITTING** : BLAS-02

**BLAP-15**

Aluminium Handle Profile



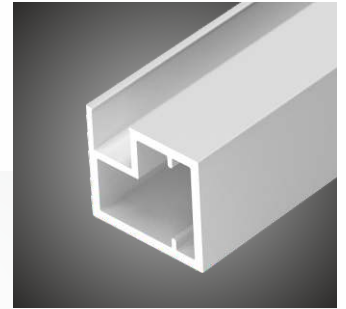
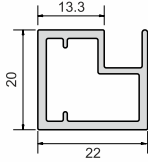
**FINISH** : **FINISH** : Aluminium Anodized, Brushed CP, Brushed SS, Glossy CP, Champagne, Black, Rose Gold, Gold, Sapphire Grey

**LENGTH** : 3 Meters | **RELATED FITTING** : BLAS-03



**BLAP-16**

Aluminium Frame Profile

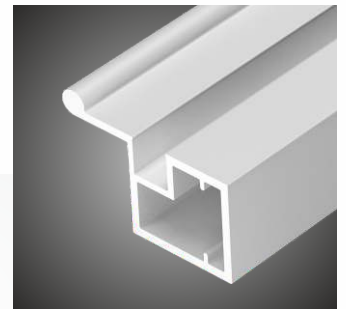
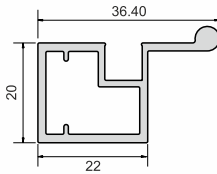


**FINISH** : Aluminium Anodized, Brushed CP, Brushed SS, Glossy CP, Champagne, Black, Rose Gold, Gold, Sapphire Grey

**LENGTH** : 3 Meters | **SUITABLE FOR** : 4 MM Glass | **RELATED FITTING** : BLAS-01

**BLAP-17**

Aluminium Handle Profile

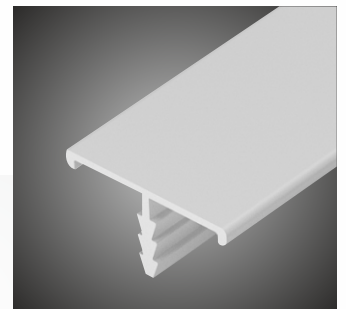
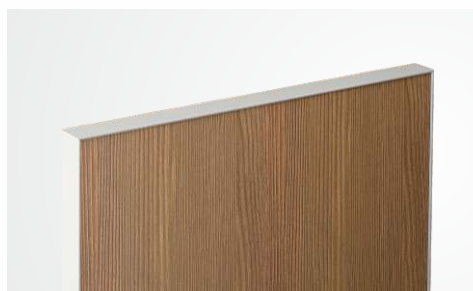
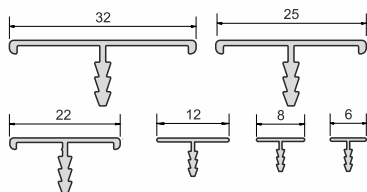


**FINISH** : Aluminium Anodized, Brushed CP, Brushed SS, Glossy CP, Champagne, Black, Rose Gold, Gold, Sapphire Grey

**LENGTH** : 3 Meters | **SUITABLE FOR** : 4 MM Glass | **RELATED FITTING** : BLAS-01

**BLAP-18**

Aluminium Edge Profile

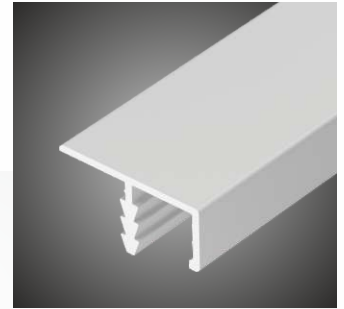
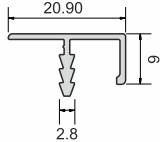


**FINISH** : Aluminium Anodized, Brushed CP, Brushed SS, Glossy CP, Champagne, Black, Rose Gold, Gold, Sapphire Grey

**LENGTH** : 3 Meters

**BLAP-19**

Aluminium Edge Profile

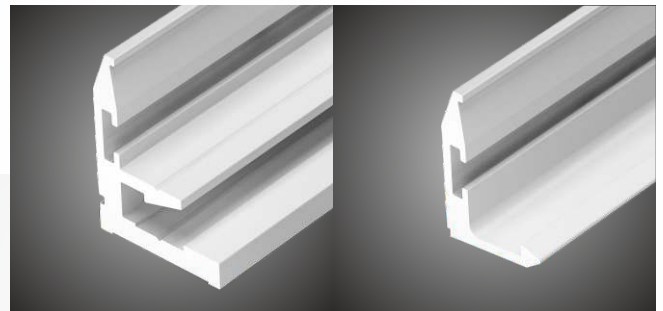
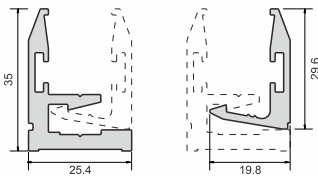


**FINISH** : Aluminium Anodized, Brushed CP, Brushed SS, Glossy CP, Champagne, Black, Rose Gold, Gold, Sapphire Grey

**LENGTH** : 3 Meters

**BLAP-20**

Glazing Profile

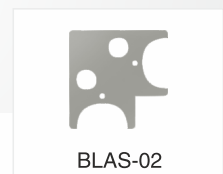
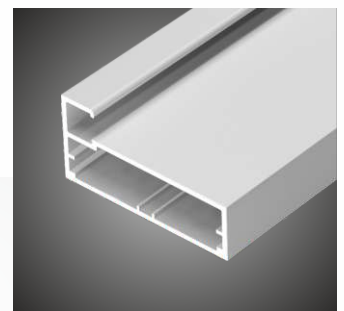
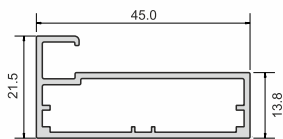


**FINISH** : Aluminium Anodized, Brushed CP, Brushed SS, Glossy CP, Champagne, Black, Rose Gold, Gold, Sapphire Grey

**LENGTH** : 3 Meters | **SUITABLE FOR** : 10-12 MM Glass | **RELATED FITTING** : BLAS-05

**BLAP-21**

Aluminium Frame Profile

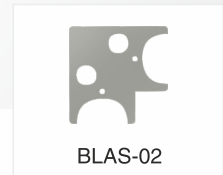
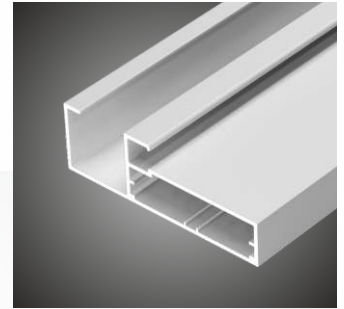
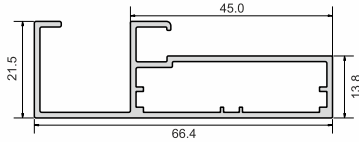


**FINISH** : Aluminium Anodized, Brushed CP, Brushed SS, Glossy CP, Champagne, Black, Rose Gold, Gold, Sapphire Grey

**LENGTH** : 3 Meters | **SUITABLE FOR** : 4 MM Glass | **RELATED FITTING** : BLAS-02

**BLAP-22**

Aluminium Handle Profile

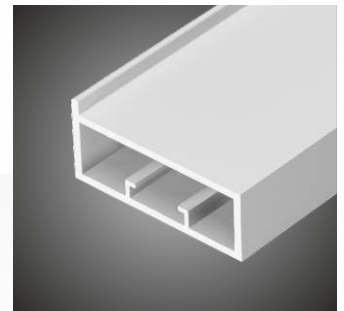
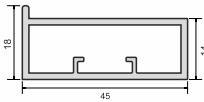


**FINISH** : Aluminium Anodized, Brushed CP, Brushed SS, Glossy CP, Champagne, Black, Rose Gold, Gold, Sapphire Grey

**LENGTH** : 3 Meters | **SUITABLE FOR** : 4 MM Glass | **RELATED FITTING** : BLAS-02

**BLAP-23**

Aluminium Frame Profile

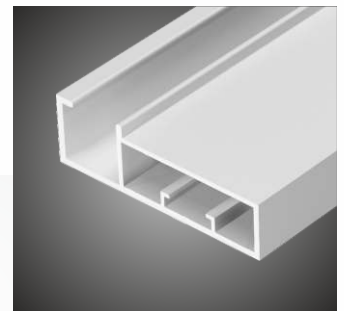
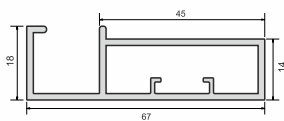


**FINISH** : Aluminium Anodized, Brushed CP, Brushed SS, Glossy CP, Champagne, Black, Rose Gold, Gold, Sapphire Grey

**LENGTH** : 3 Meters | **SUITABLE FOR** : 4 MM Glass | **RELATED FITTING** : BLAS-01

**BLAP-24**

Aluminium Handle Profile

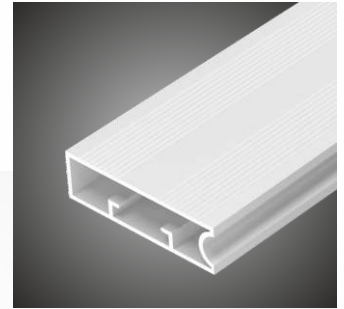
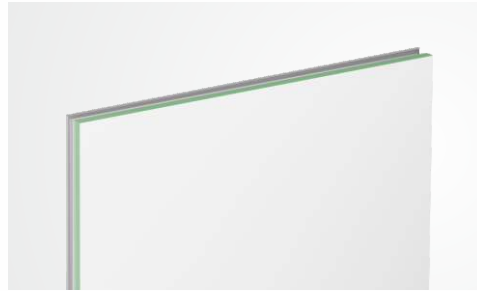
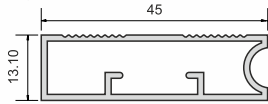


**FINISH** : Aluminium Anodized, Brushed CP, Brushed SS, Glossy CP, Champagne, Black, Rose Gold, Gold, Sapphire Grey

**LENGTH** : 3 Meters | **SUITABLE FOR** : 4 MM Glass | **RELATED FITTING** : BLAS-01

**BLAP-25**

Aluminium Frame Profile

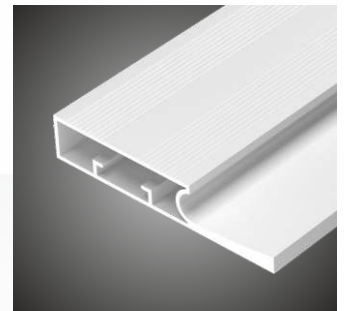
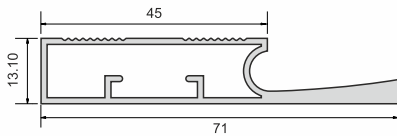


**FINISH** : Aluminium Anodized, Brushed CP, Brushed SS, Glossy CP, Champagne, Black, Rose Gold, Gold, Sapphire Grey

**LENGTH** : 3 Meters | **SUITABLE FOR** : 4-5-6 MM Glass | **RELATED FITTING** : BLAS-01

**BLAP-26**

Aluminium Handle Profile

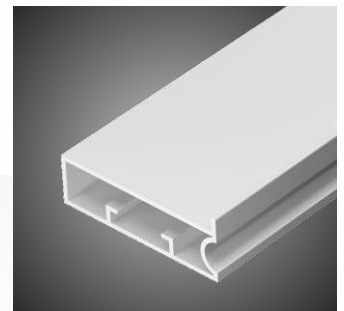
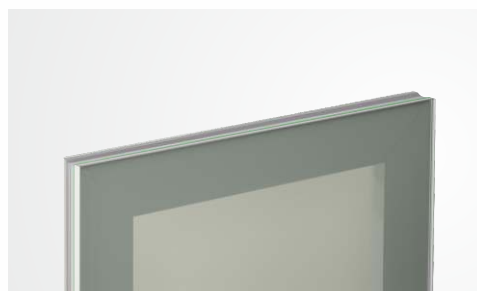
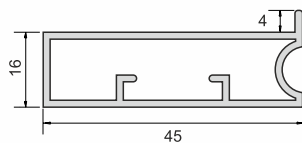


**FINISH** : Aluminium Anodized, Brushed CP, Brushed SS, Glossy CP, Champagne, Black, Rose Gold, Gold, Sapphire Grey

**LENGTH** : 3 Meters | **SUITABLE FOR** : 4-5-6 MM Glass | **RELATED FITTING** : BLAS-01

**BLAP-27**

Aluminium Frame Profile

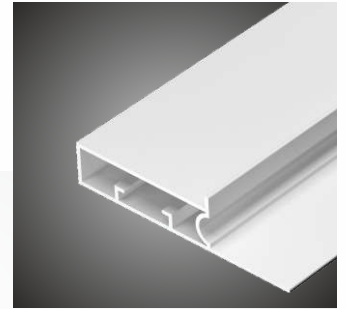
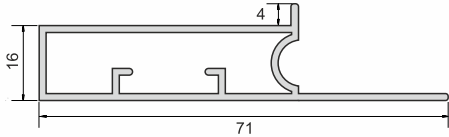


**FINISH** : Aluminium Anodized, Brushed CP, Brushed SS, Glossy CP, Champagne, Black, Rose Gold, Gold, Sapphire Grey

**LENGTH** : 3 Meters | **SUITABLE FOR** : 4mm Glass | **RELATED FITTING** : BLAS-01

**BLAP-28**

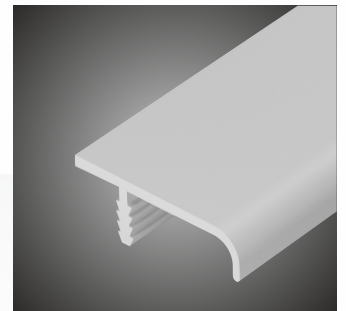
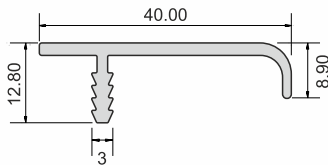
Aluminium Handle Profile



**FINISH** : Aluminium Anodized, Brushed CP, Brushed SS, Glossy CP, Champagne, Black, Rose Gold, Gold, Sapphire Grey  
**LENGTH** : 3 Meters | **SUITABLE FOR** : 4mm Glass | **RELATED FITTING** : BLAS-01

**BLAP-29**

Aluminium Handle Profile

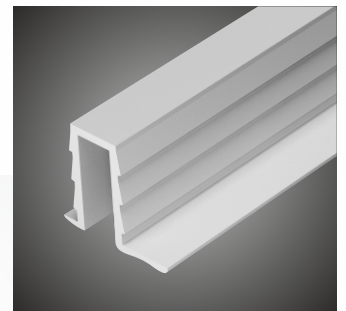
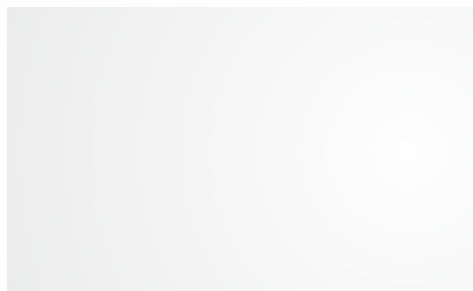
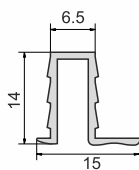


**FINISH** : Aluminium Anodized, Brushed CP, Brushed SS, Glossy CP, Champagne, Black, Rose Gold, Gold, Sapphire Grey  
**LENGTH** : 3 Meters

**BLST-01**

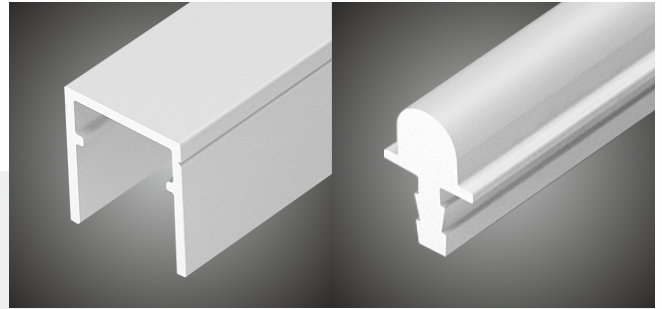
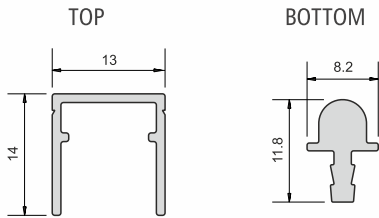
Sliding Track Profile

TOP - BOTTOM



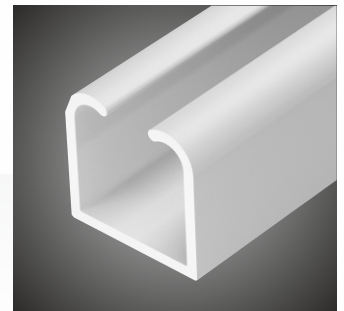
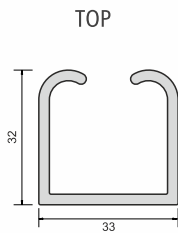
**FINISH** : Aluminium Anodized  
**LENGTH** : 10 - 12 Feet | **RELATED FITTING** : BLFT-05

**BLST-02**  
Sliding Track Profile



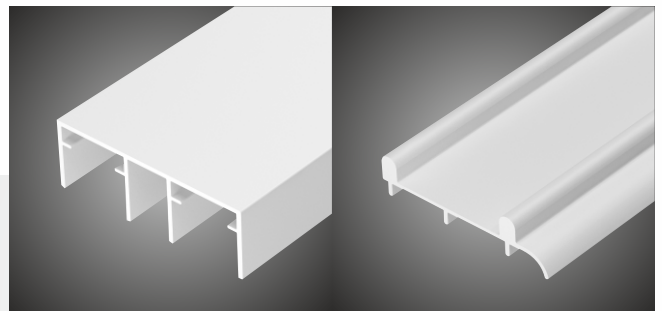
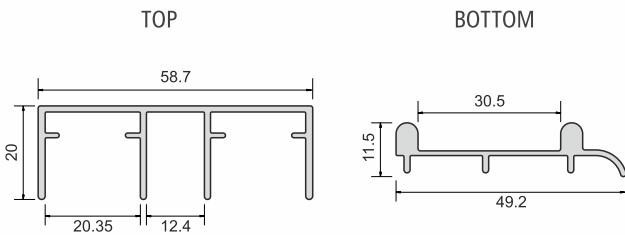
**FINISH** : Aluminium Anodized  
**LENGTH** : 10 - 12 Feet | **RELATED FITTING** : BLFT-03

**BLST-03**  
Sliding Track Profile



**FINISH** : Aluminium Anodized  
**LENGTH** : 10 - 12 Feet | **RELATED FITTING** : BLFT-01, BLFT-02

**BLST-04**  
Sliding Track Profile with  
Soft Close Provision

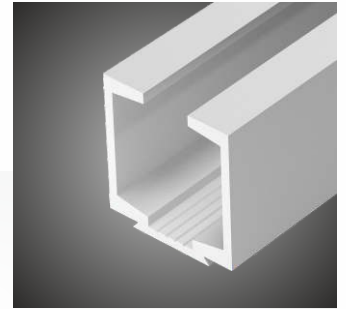
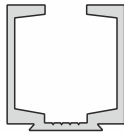


**FINISH** : Aluminium Anodized  
**LENGTH** : 10 - 12 Feet | **RELATED FITTING** : BLFT-04, BLFT-08

**BLST-05**

Sliding Track Profile

TOP



BLFT-06



BLFT-07

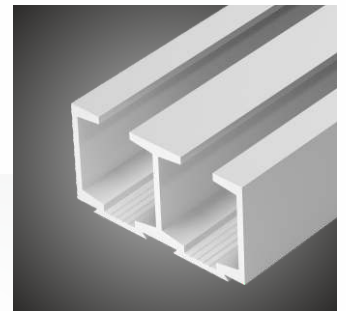
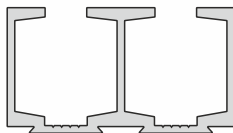
**FINISH** : Aluminium Anodized

**LENGTH** : 10 - 12 Feet | **RELATED FITTING** : BLFT-06, BLFT-07

**BLST-06**

Sliding Track Profile

TOP



BLFT-06



BLFT-07

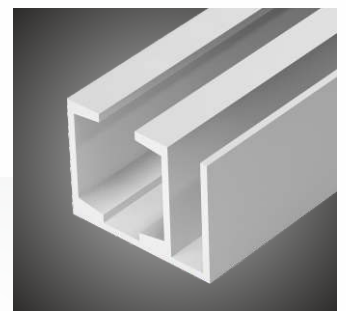
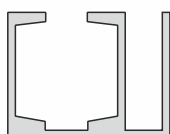
**FINISH** : Aluminium Anodized

**LENGTH** : 10 - 12 Feet | **RELATED FITTING** : BLFT-06, BLFT-07

**BLST-07**

Sliding Track Profile

TOP



BLFT-06



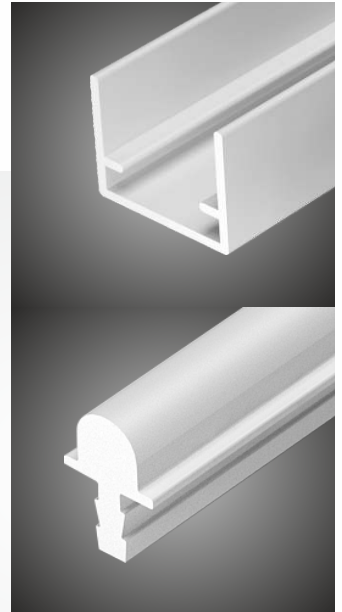
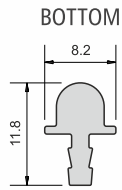
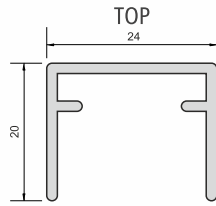
BLFT-07

**FINISH** : Aluminium Anodized

**LENGTH** : 10 - 12 Feet | **RELATED FITTING** : BLFT-06, BLFT-07

**BLST-08**

Sliding Track Profile with Soft Close Provision



BLFT-04



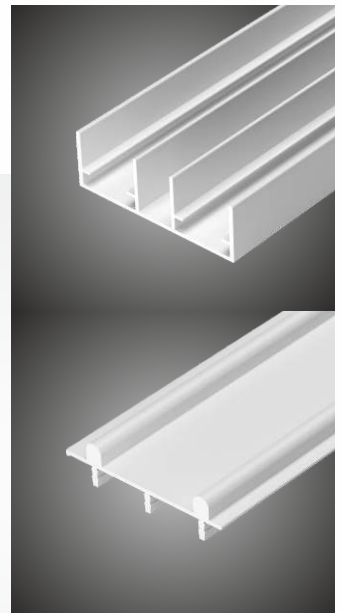
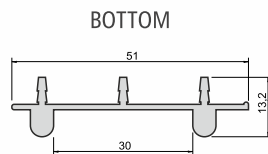
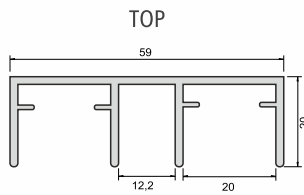
BLFT-08

**FINISH** : Aluminium Anodized

**LENGTH** : 10 - 12 Feet | **RELATED FITTING** : BLFT-04, BLFT-08

**BLST-09**

Sliding Track Profile with Soft Close Provision



BLFT-04



BLFT-08

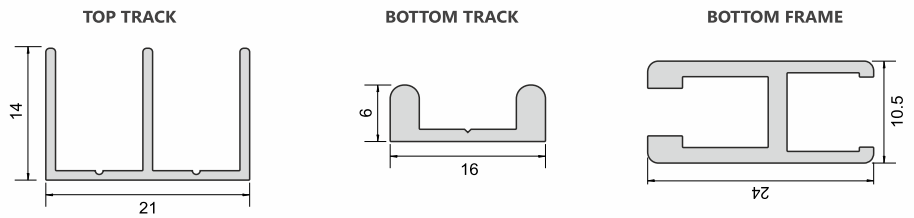
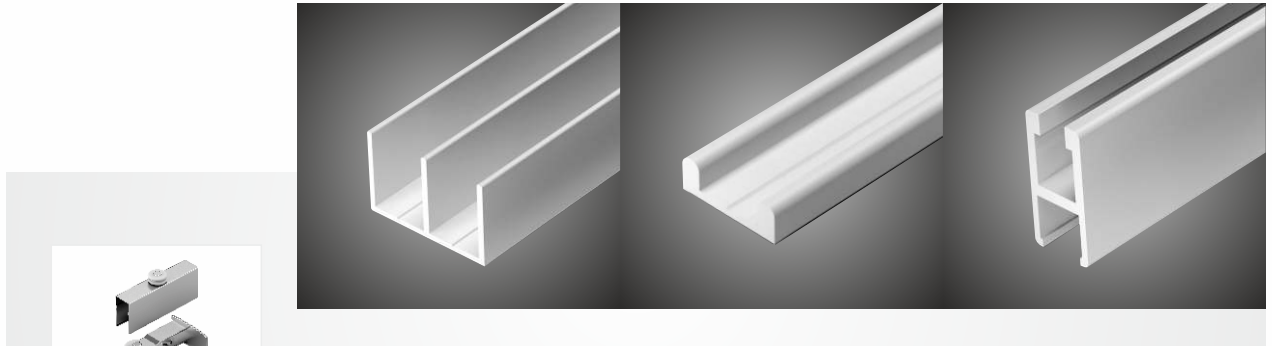
**FINISH** : Aluminium Anodized

**LENGTH** : 6.5, 8, 10, 12, 13 Feet | **RELATED FITTING** : BLFT-04, BLFT-08



**BLST-10**

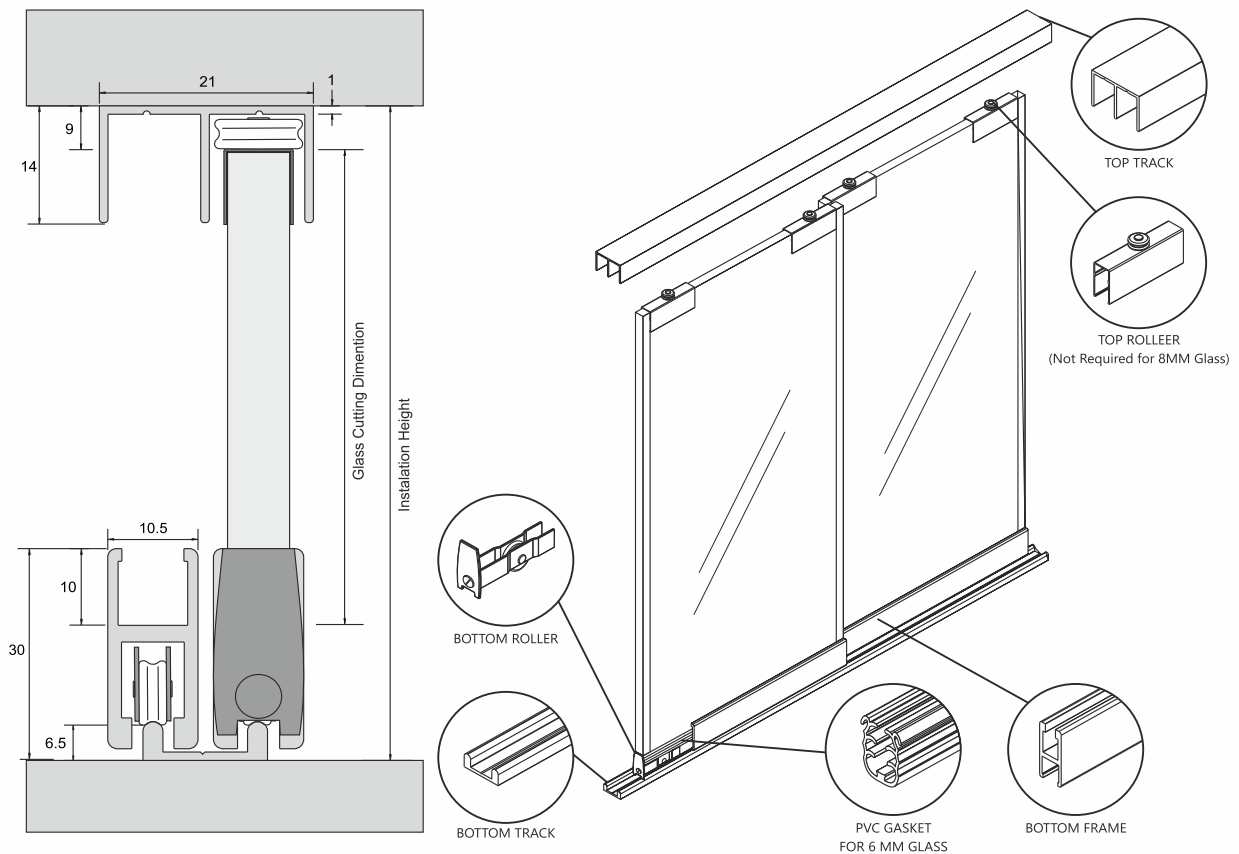
Cabinet Glass Sliding System



**FINISH** : Aluminium Anodized, Brushed SS, Brushed CP

**LENGTH** : 1, 2, 3 Meters | **RELATED FITTING** : BLFT-09 | **SUITABLE FOR** : 6 mm (With Gasket), 8 mm (Without Gasket)

**CABINET GLASS SLIDING SYSTEM ASSEMBLY**



**FITTING ACCESSORIES**

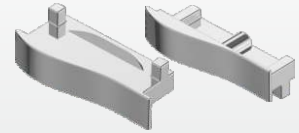
BLAS-01



BLAS-02



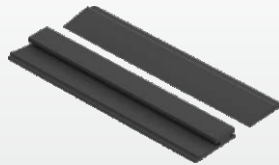
BLAS-03



BLAS-04



BLAS-05



BLFT-01



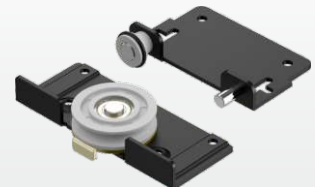
BLFT-02



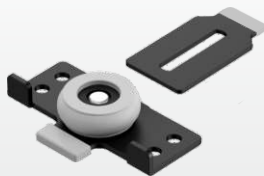
BLFT-03



BLFT-04



BLFT-05



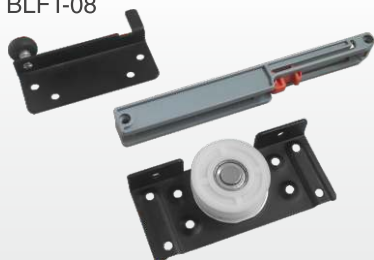
BLFT-06



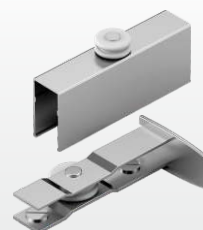
BLFT-07



BLFT-08



BLFT-09



# EXCLUSIVE







WARDROBE SLIDING SYSTEMS

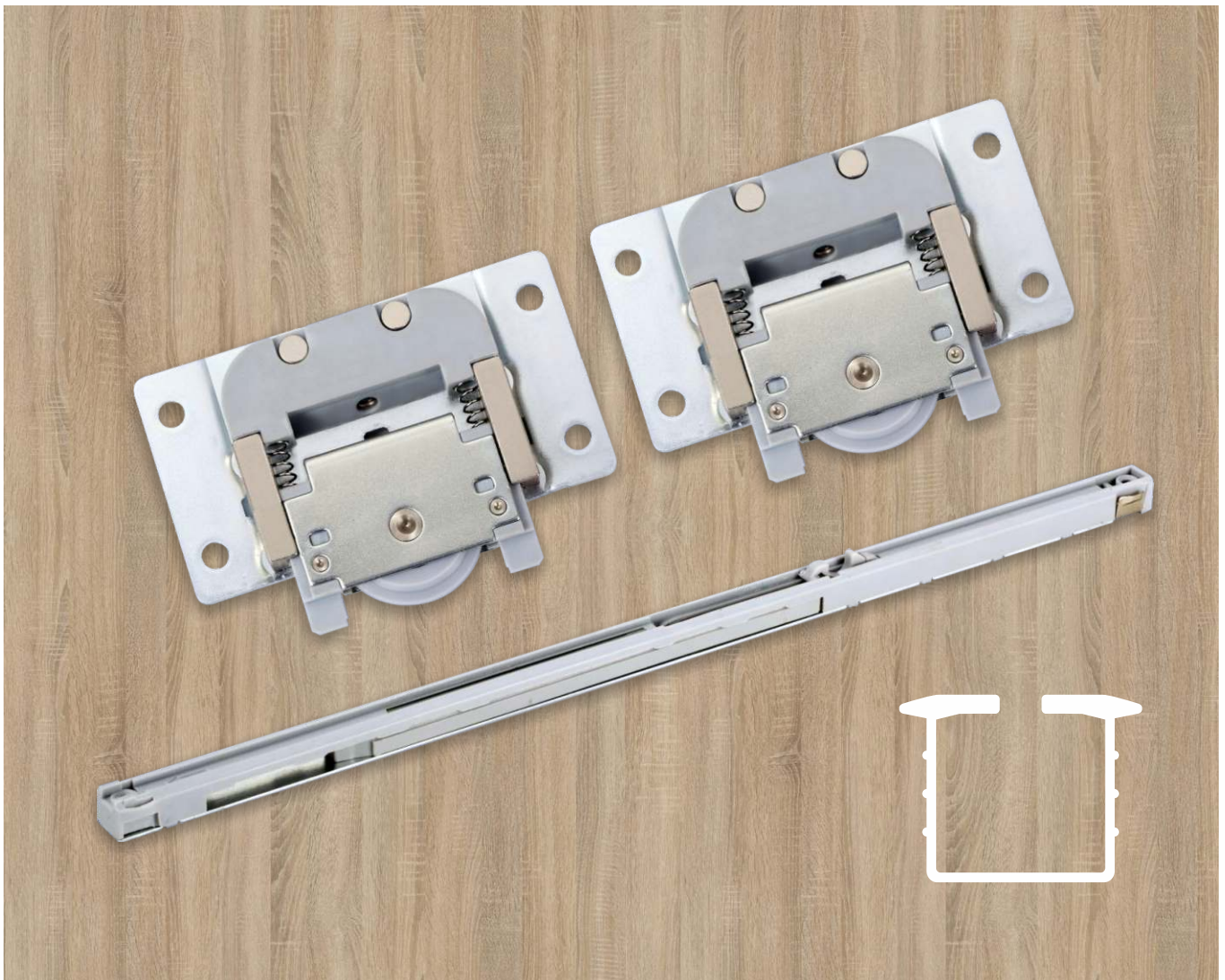


# SLIDING SYSTEMS

**BLSS-01**  
Wardrobe Sliding System

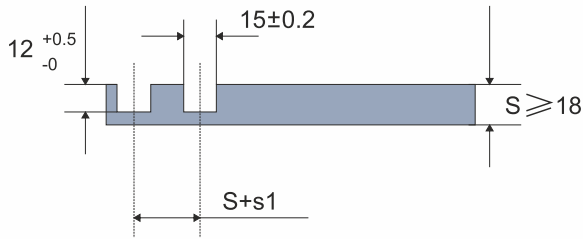
- Original design with concealed damper in top panel 18mm.
- Automatic position pre-setting and easy installation of dampers.
- With comfortable and safe soft closing function, improve the level of Wardrobe and expand the life of Wardrobe.
- With best silent performance by high quality imported POM material runner, which is high-strength ball bearing runner.
- Easy installation design, adjustable function to get the best balance between door panels.
- Soft closing system with restoration function, and anti-jump and automatic hook coupling function (Anti-decoupling).
- Apply to wooden furniture, poly-wood furniture.
- Loading capacity of door : 50 KG.

Accessories	Drawing	2 Door	3 Door	4 Door
Runner		8	12	16
Damper		4	4	4
Cap for Aluminium Rail Ending		8	8	8
Aluminium Rail		4	4	4
Allen Key		1	1	1
Screws		32	48	64

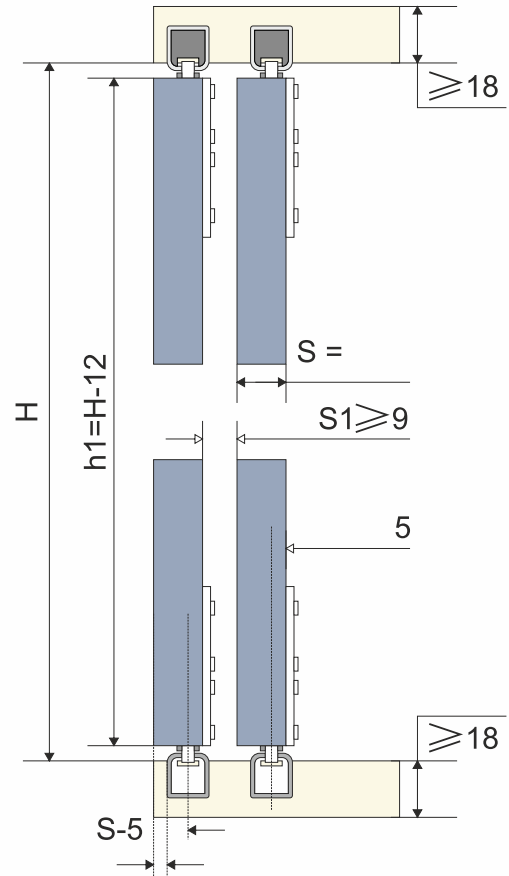


**FITTING ASSAMBLY FOR BLSS-01**  
Wardrobe Sliding System

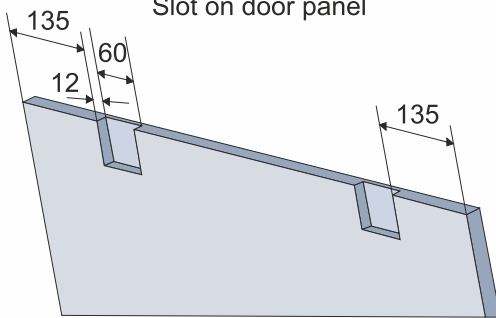
Slot Dimention for aluminium rail



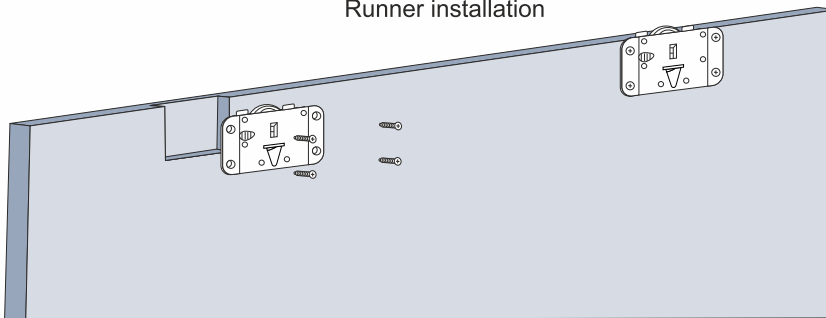
Size on wardrobe



Slot on door panel



Runner installation





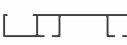
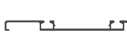





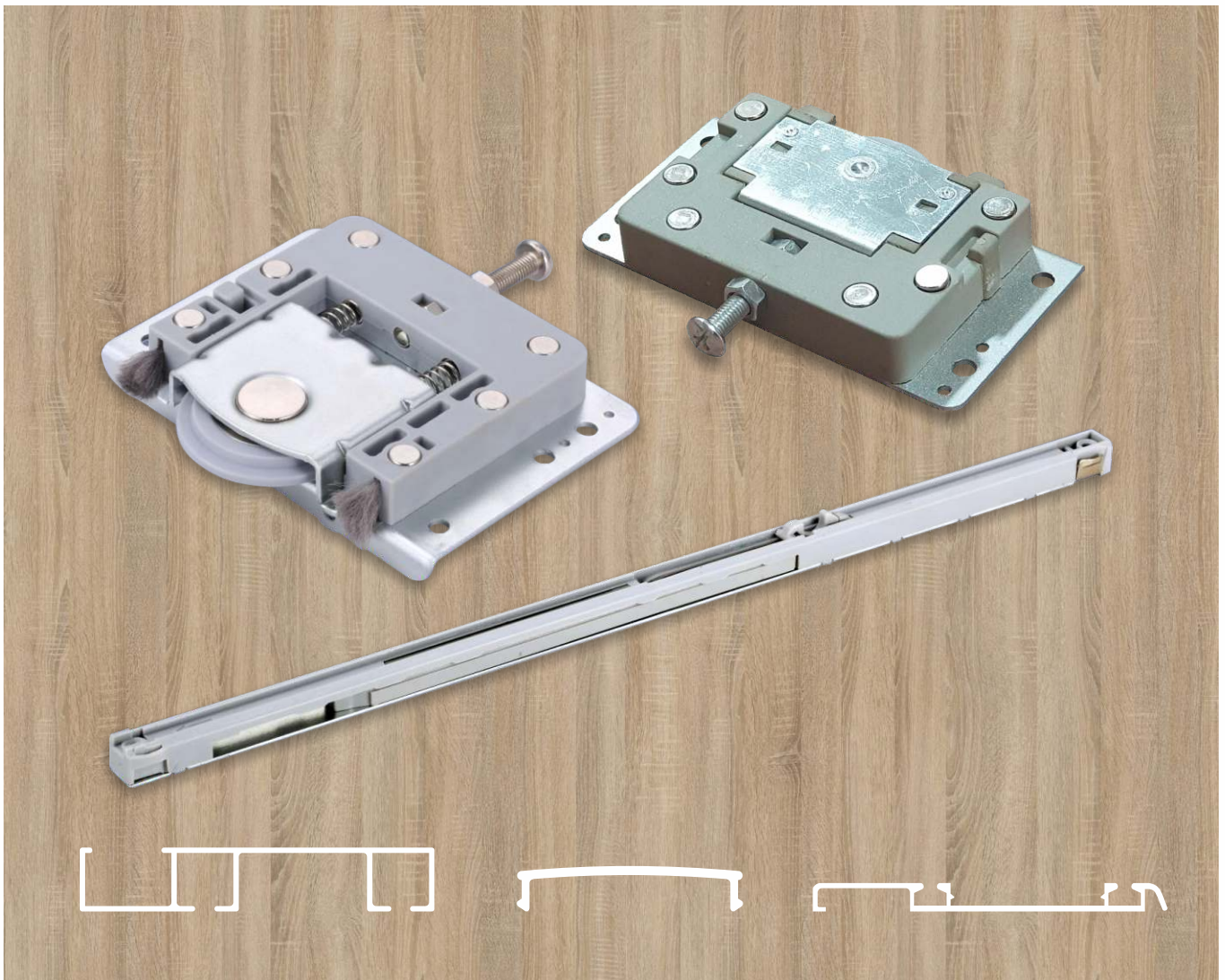
Damper installation



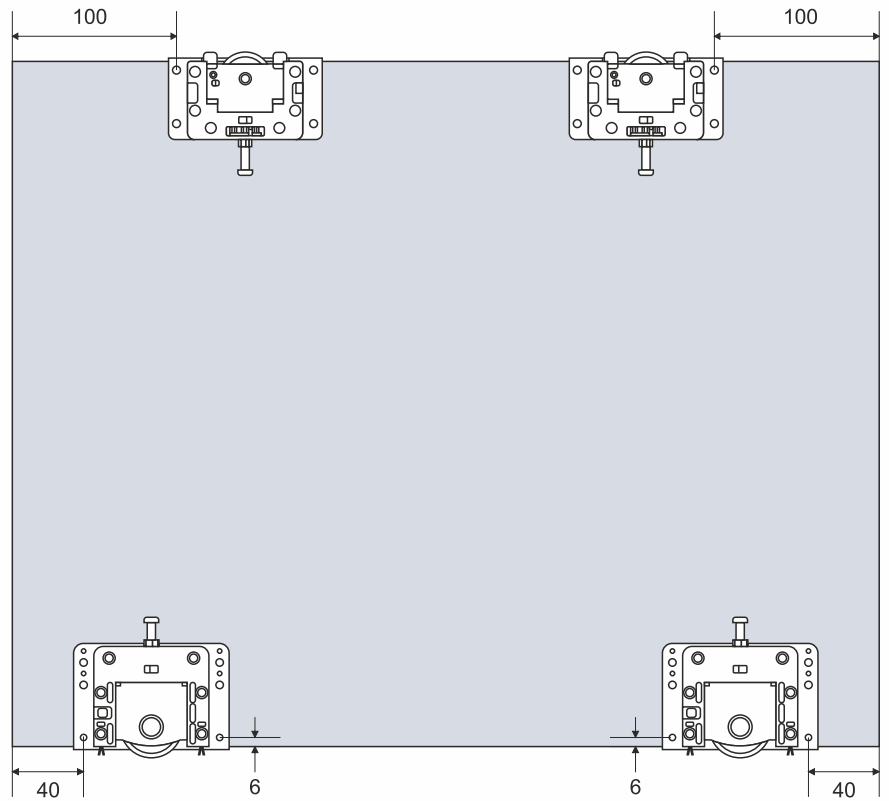
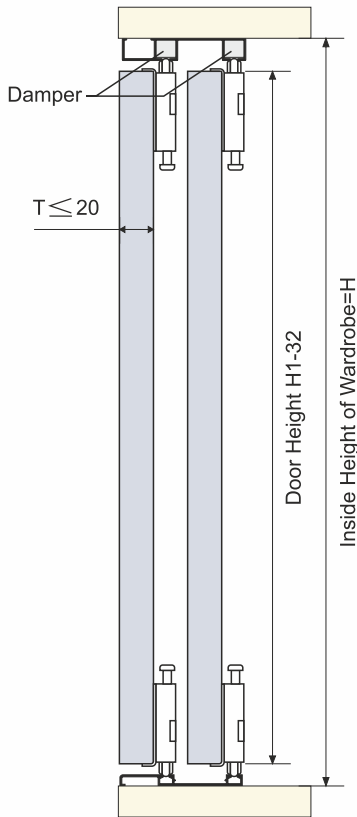
**BLSS-02**  
Wardrobe Sliding System

- Visible roller design for external fixing, no need make groove on the furniture.
- Concealed damper - Original design, Automatic position pre-setting and easy installation of dampers.
- Apply to panel wood, solid wood and aluminium frame door.
- Comfortable and safe soft closing function, best silent and smooth performance.
- improve the level of furniture and expand the life of furniture.
- Soft closing system with anti-jump and automatic hook coupling function (Anti-decoupling)
- Loading capacity per door : 50 Kg.
- Apply to the thickness of wooden door :  $T \leq 20\text{mm}$

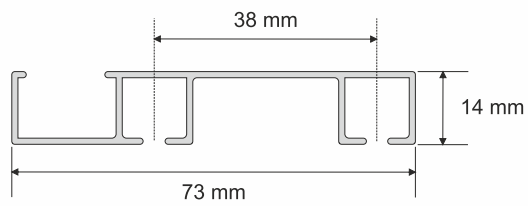
Accessories	Drawing	2 Door	3 Door	Accessories	Drawing	2 Door	3 Door
Top Runner		4	6	Bottom Runner		4	6
Allen Key		1	1	Screw		32	48
Top Aluminium Rail		1	1	Bottom Aluminium Rail		1	1
Spacer		16	24	Cap for Bottom Rail		1	1
Damper						4	4



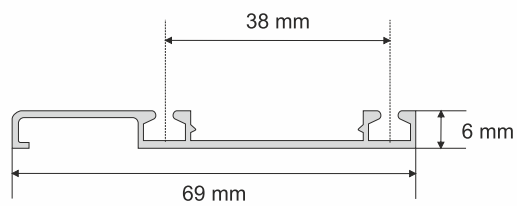
**FITTING ASSAMBY FOR BLSS-02**  
Wardrobe Sliding System



Top Aluminium Rail



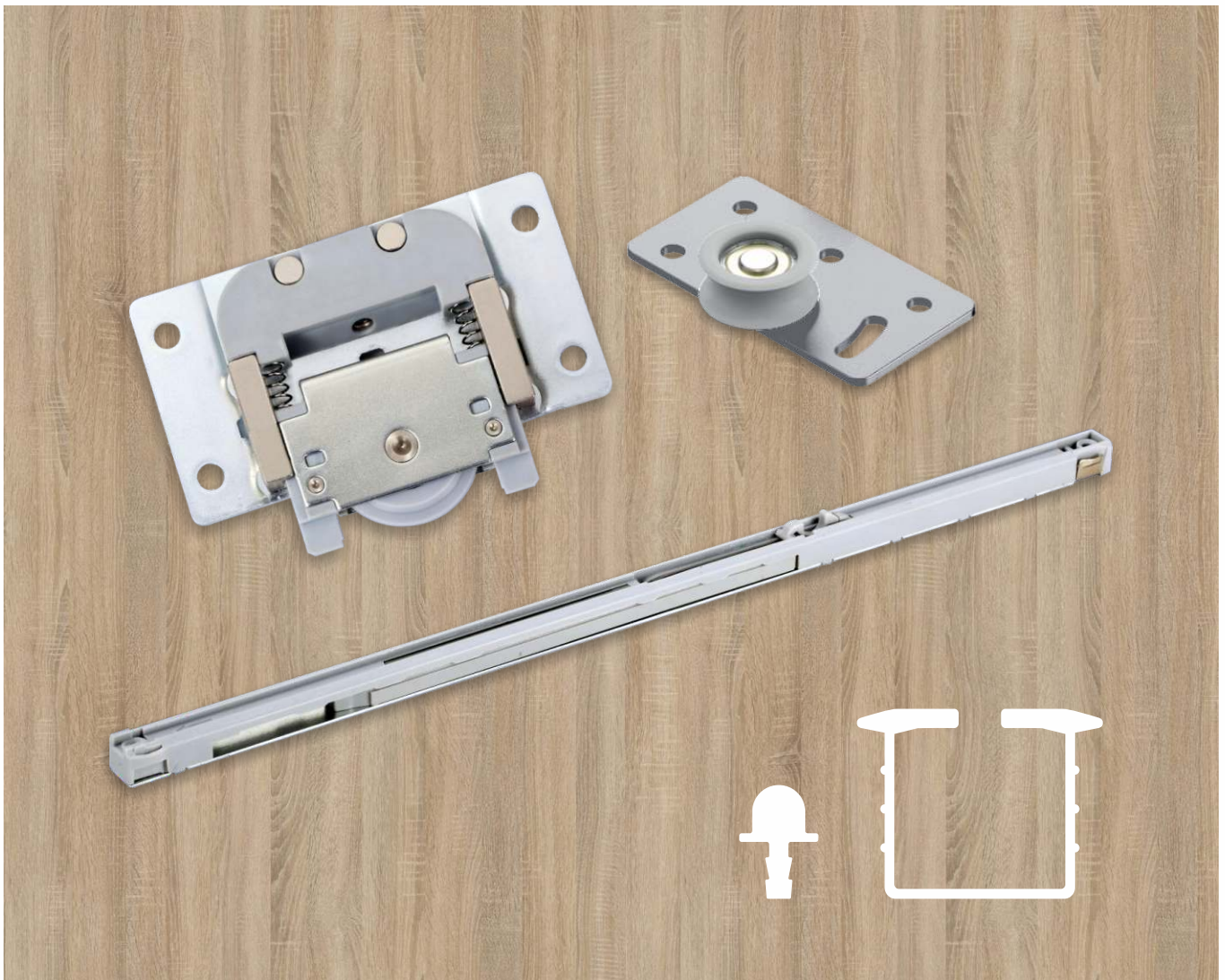
Bottom Aluminium Rail



**BLSS-03**  
Wardrobe Sliding System

- Visible roller design for external fixing, no need make groove on the furniture.
- Concealed damper - Original design, Automatic position pre-setting and easy installation of dampers.
- Apply to panel wood, solid wood and aluminium frame door.
- Comfortable and safe soft closing function, best silent and smooth performance.
- improve the level of furniture and expand the life of furniture.
- Soft closing system with anti-jump and automatic hook coupling function (Anti-decoupling)
- Loading capacity per door : 50 Kg.

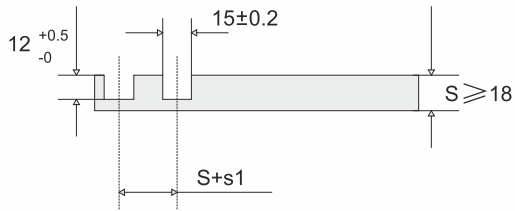
Accessories	Drawing	2 Door	3 Door	Accessories	Drawing	2 Door	3 Door
Top Runner		4	6	Bottom Runner		4	6
Allen Key		1	1	Screw		32	48
Top Aluminium Rail		2	2				
Cap for Aluminium Rail Ending		4	4	Bottom Aluminium Rail		2	2
Damper						4	4



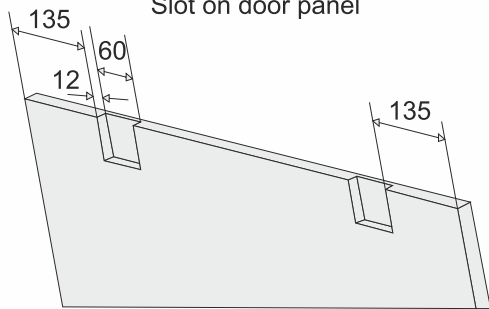


**FITTING ASSAMBLY FOR BLSS-03**  
Wardrobe Sliding System

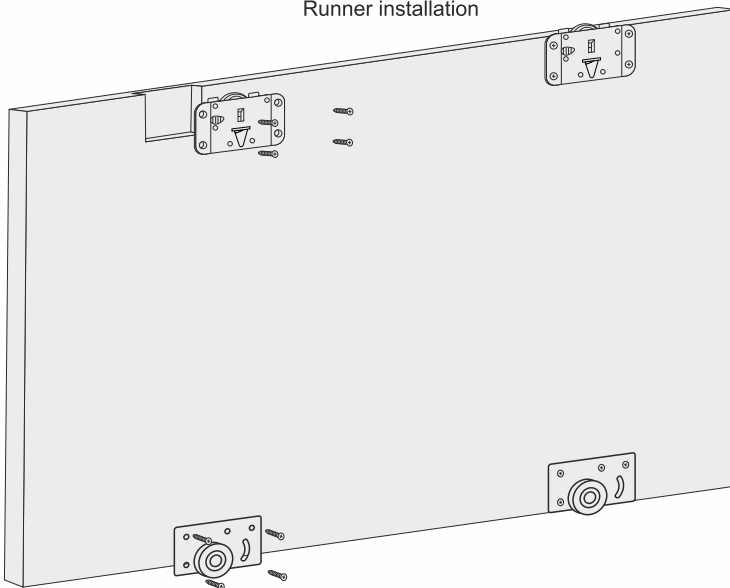
Slot Dimention for aluminium rail



Slot on door panel



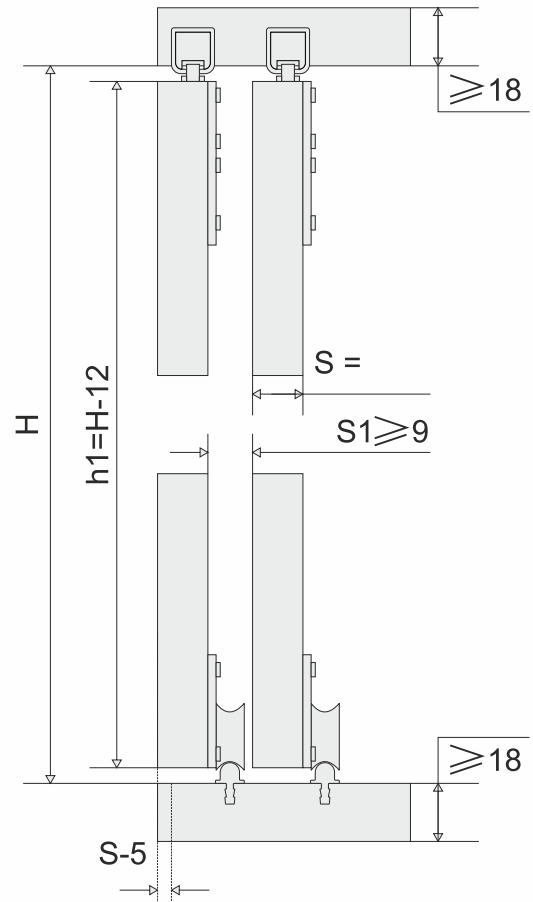
Runner installation



Damper installation










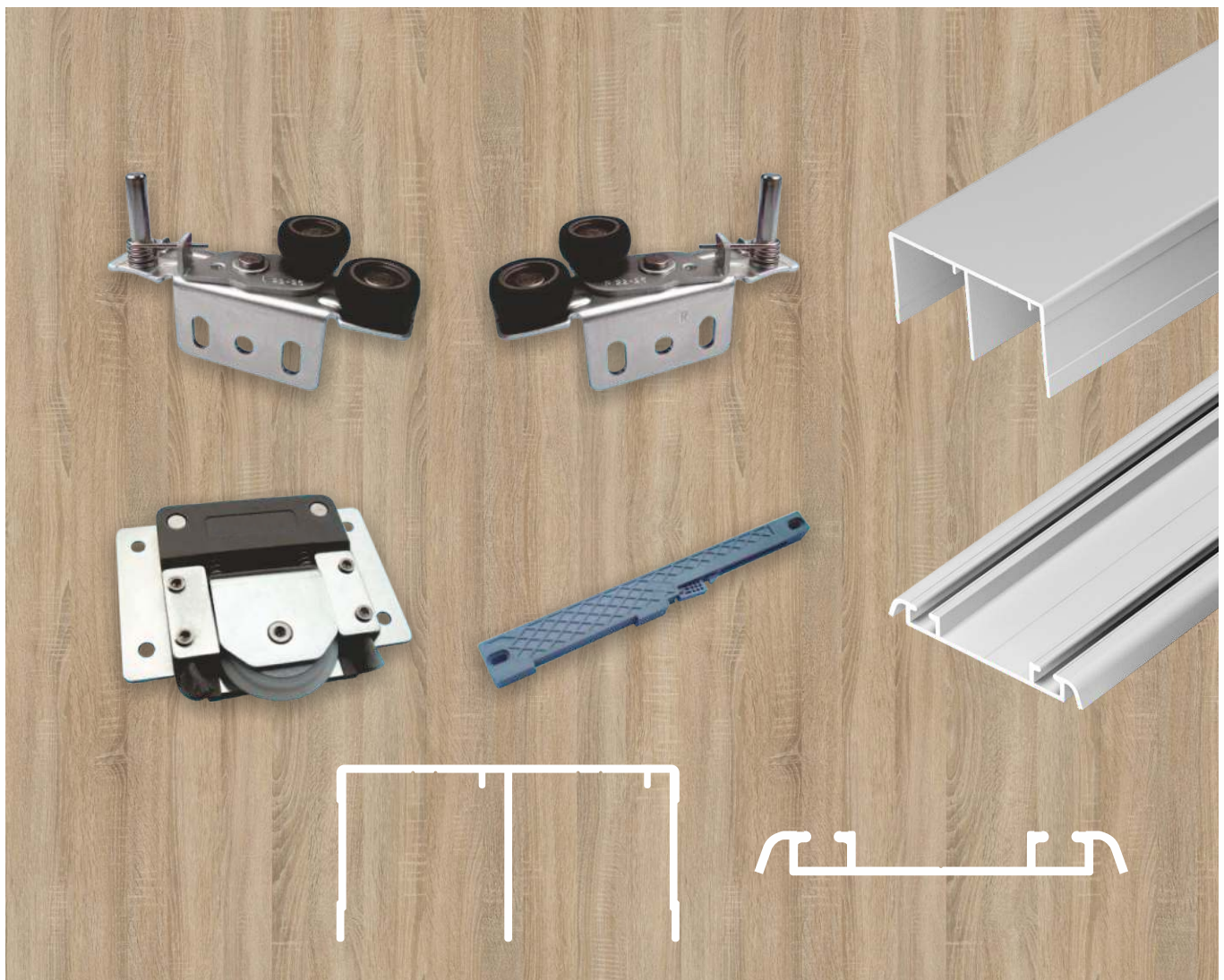
Size on wardrobe



**BLSS-04**

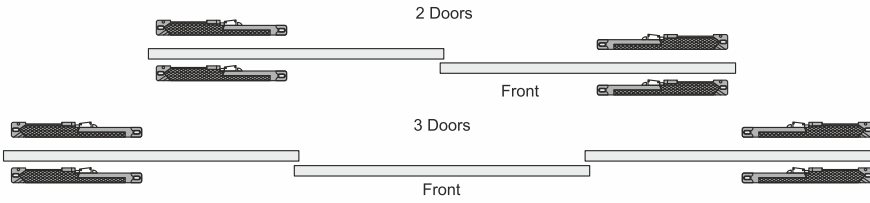
Wardrobe Sliding System (25mm Door)

Accessories	Drawing	2 Door	Accessories	Drawing	2 Door
Top Runner		2 pair	Bottom Runner		4
Allen Key		1	Screw		32
Top Aluminium Rail		1	Bottom Aluminium Rail		1
Damper					4

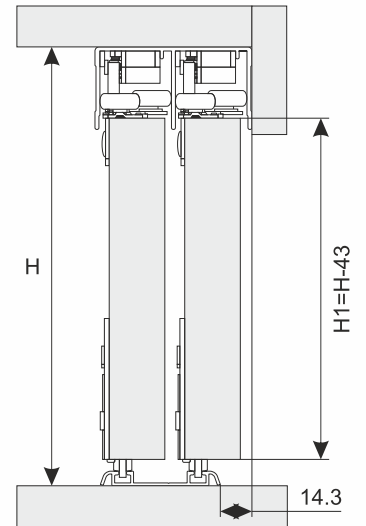
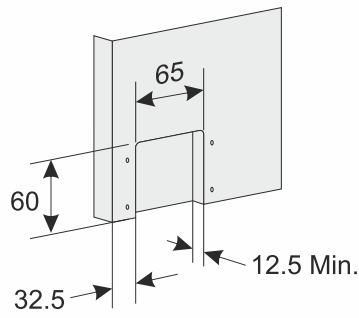
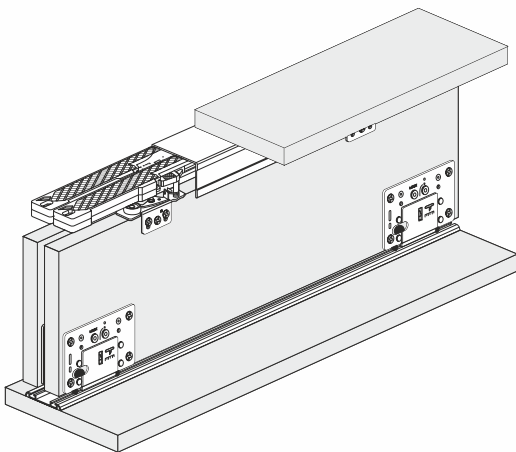


**FITTING ASSAMBY FOR BLSS-04**  
Wardrobe Sliding System

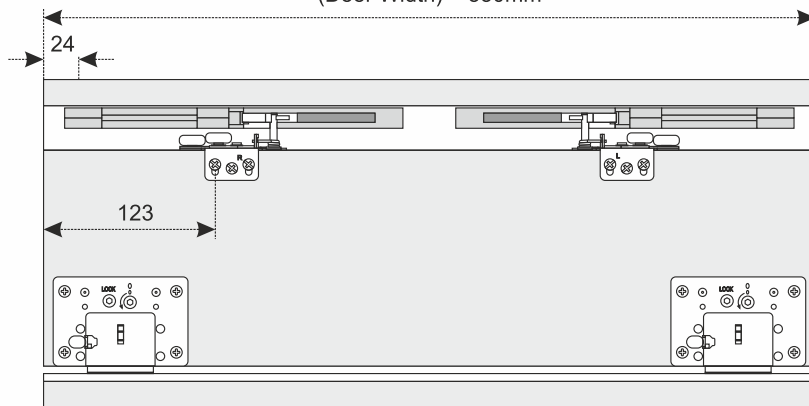
**Installation for Dampers**



**Installation Parameters Graph**





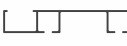

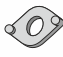



(Door Width) > 530mm



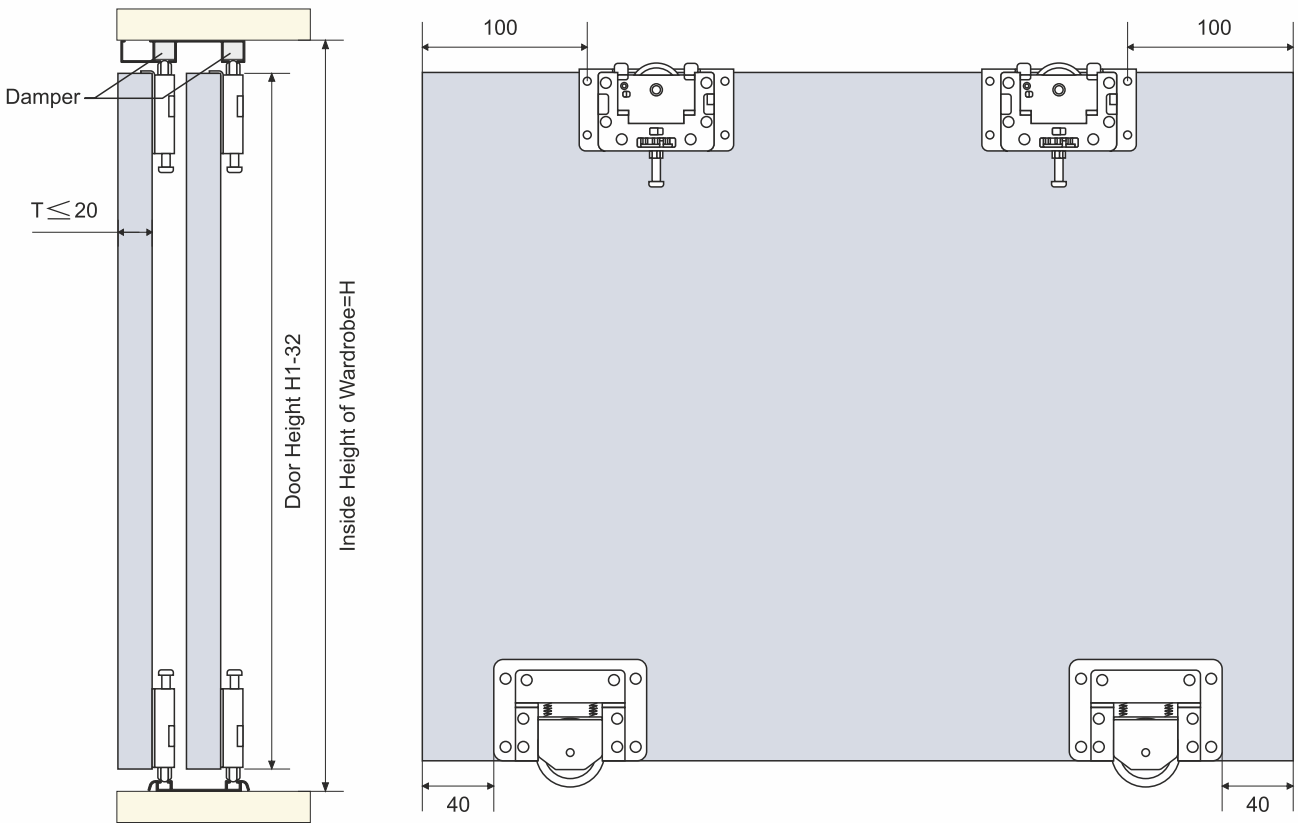
**BLSS-05**  
Wardrobe Sliding System

- With comfortable and safe soft closing function, improve the level of furniture.
- With best silent performance by high quality Imported POM material runner, which is high-strength ball bearing runner.
- Automatically clearing debris and dust in the rails with brush, ensuring smooth sliding of roller.
- Soft closing system with anti-jump and automatic hook coupling function (Anti-decoupling)
- Apply to solid wood, panel wood and glass door.
- Loading capacity of door : 50 Kg.
- Apply to the thickness of door : T=18mm-32mm

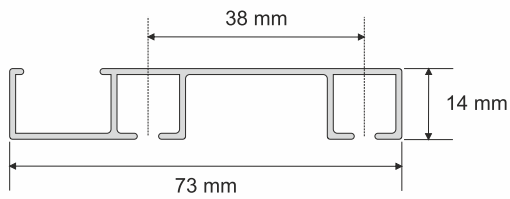
Accessories	Drawing	2 Door	3 Door	Accessories	Drawing	2 Door	3 Door
Top Runner		4	6	Bottom Runner		4	6
Allen Key		1	1	Screw		16	32
Top Aluminium Rail		1	1	Bottom Aluminium Rail		1	1
Spacer		16	24				
Damper					4	4	



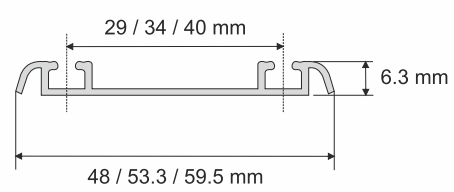
**FITTING ASSAMBLY FOR BLSS-05**  
Wardrobe Sliding System



Top Aluminium Rail








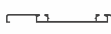
Bottom Aluminium Rail

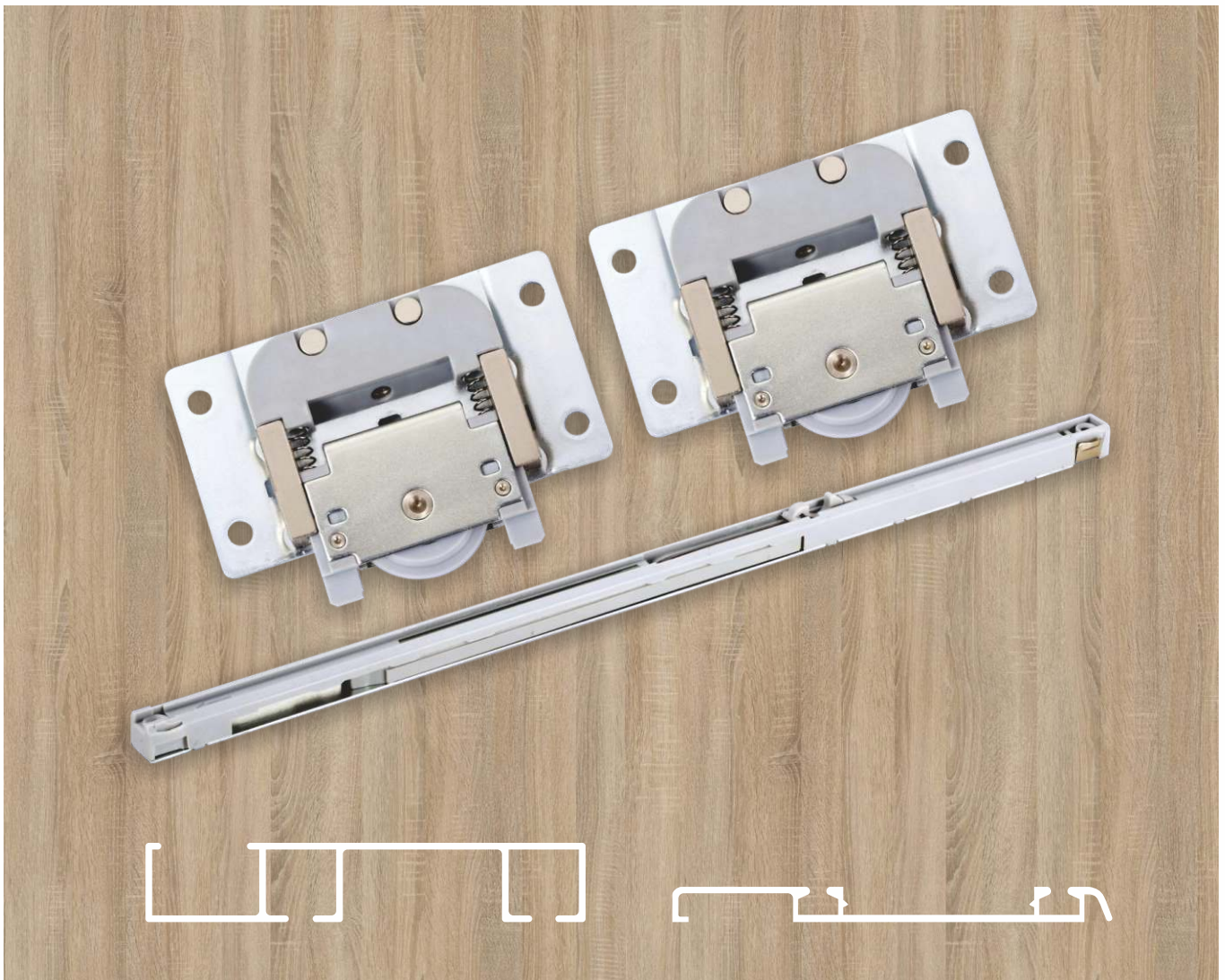


Bottom Rail Profile Width	Door Thickness
48 mm	18 to 21 mm
53.3 mm	21 to 25 mm
59.5 mm	25 to 32 mm

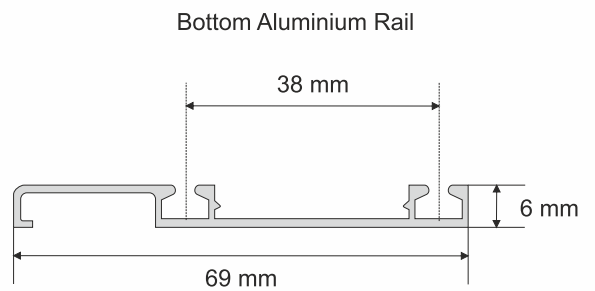
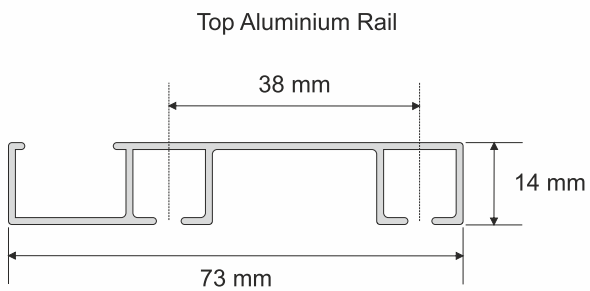
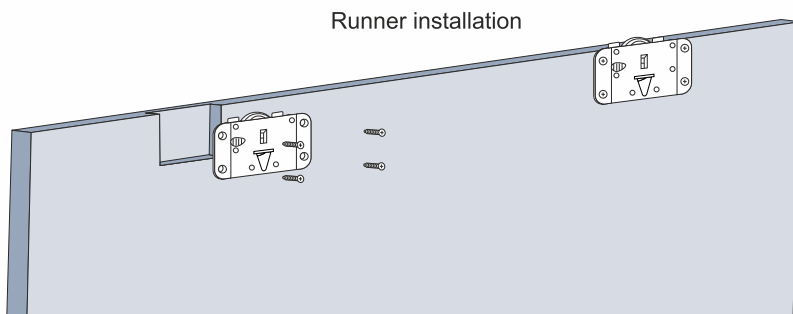
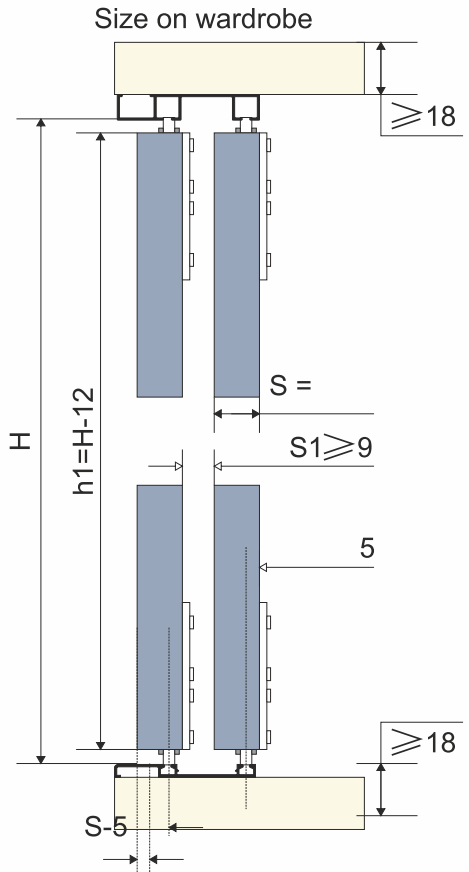
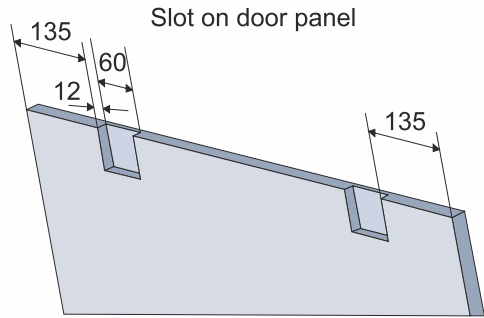
**BLSS-06**  
Wardrobe Sliding System

- Original design with concealed damper in top panel 18mm.
- Automatic position pre-setting and easy installation of damper.
- With comfortable and safe soft closing function, improve the level of furniture and expand the life of furniture.
- Easy installation design, adjustable function to get the best balance between door panels.
- Soft closing system with restoration function, and anti-jump and automatic hook coupling function (Anti-decoupling)
- Apply to wooden furniture, poly-wood furniture.
- Loading capacity of door : 50 KG

Accessories	Drawing	2 Door	3 Door	Accessories	Drawing	2 Door	3 Door
Top-Bottom Runner		8	12	Damper		4	6
Allen Key		1	1	Top Aluminium Rail		1	1
Screw		32	48	Bottom Aluminium Rail		1	1



**FITTING ASSAMBY FOR BLSS-06**  
Wardrobe Sliding System



**BLSS-07**

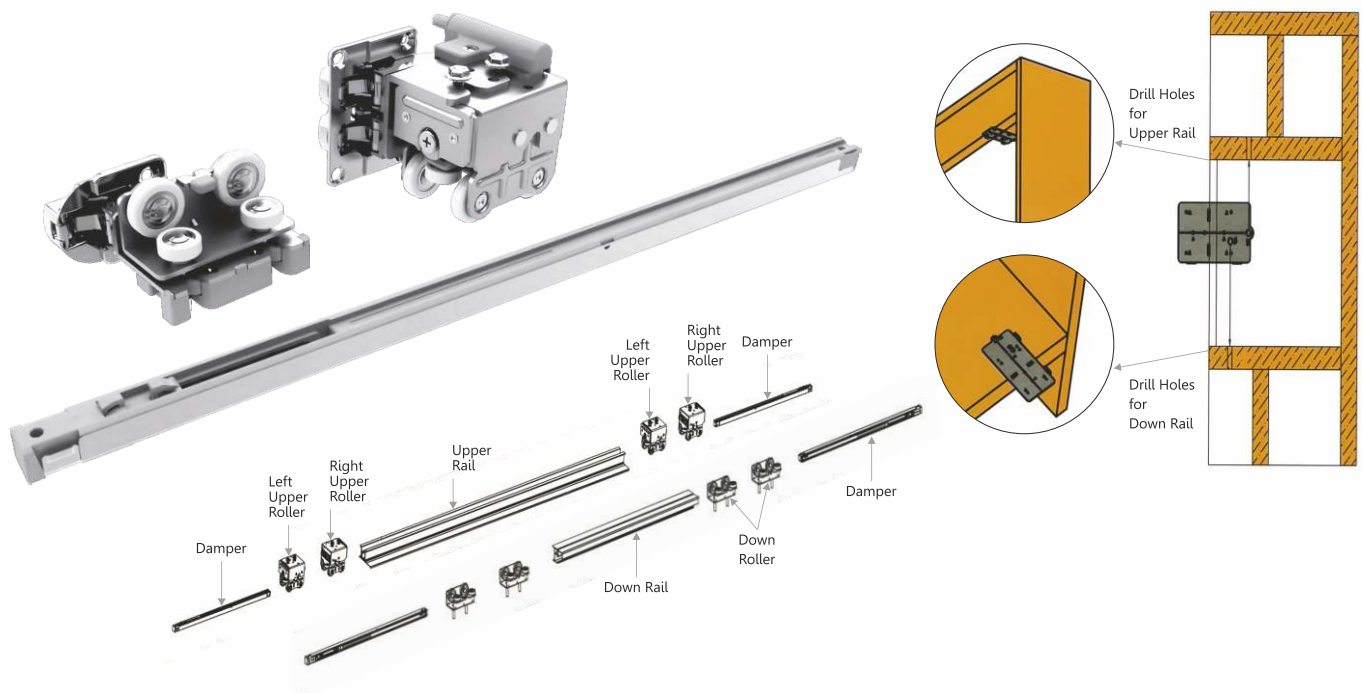
Wardrobe Folding Sliding System

- Single Door Width : 300mm-600mm
- Loading Capacity : 40kg - 2 Door
- Door Thickness : 18mm to 32mm



**FITTING ASSAMBLY FOR BLSS-07**

Wardrobe Folding Sliding System



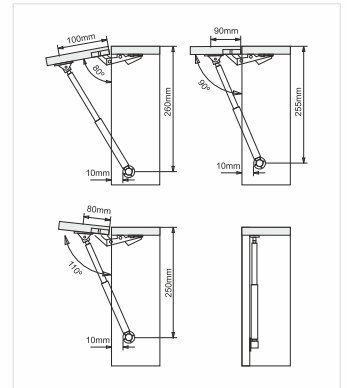


**BLGP-01**  
Gas Pump / Lifter



- Feature**
- Damped Closing
  - Easy to open
  - Safe in use
  - Easy to install
  - Long Life

Capacity :  
5 Kg | 10 Kg | 15 Kg | 20 Kg  
25 Kg | 30 Kg | 35 Kg

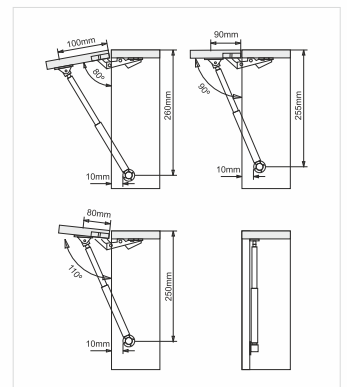


**BLGP-02**  
Gas Pump / Lifter



- Feature**
- Damped Closing
  - Easy to open
  - Safe in use
  - Easy to install
  - Long Life

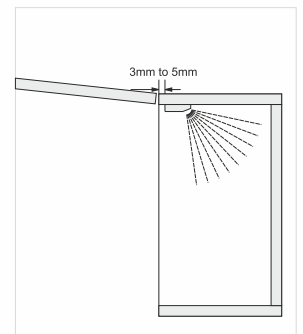
Capacity :  
5 Kg | 10 Kg | 15 Kg | 20 Kg  
25 Kg | 30 Kg | 35 Kg



**BLCL-01**  
Wardrobe & Cabinet LED Light



- Feature**
- Useful for Wardrobe, Cabinet & Drawer
  - Easy to install
  - Easy battery replace
  - Sensor Controlled
  - Long Life



**BLHI-01**  
Soft Close Hinges



**Feature**  
- Easy & Comfortable  
- Silent Movement

Type :  
0° CRANK | 8° CRANK | 16° CRANK

**BLHI-02**  
Concealed Soft Close Hinges



**Feature**  
- Easy & Comfortable  
- Silent Movement  
- Concealed Fitting

Type :  
0° CRANK | 8° CRANK | 16° CRANK

**BLHI-03**  
3D Soft Close Hinges



**Feature**  
- Easy & Comfortable  
- Silent Movement  
- 3D Fitting Setup

Type :  
0° CRANK | 8° CRANK | 16° CRANK

**BLBF-01**  
Bed Fitting (Lifter)



**FITTING INSTRUCTIONS**

- Fit the Bracket on the bed frame as per given dimensions. (Refer Fig.2). without the gas spring fitted.
- Now fix the bed platform to the top brackets (Refer Fig. 3).
- Lastly fit the gas springs as shown in diagram (Refer Fig.4).

**NOTE**

Installation dimensions are only recommendation and will vary depending on type of construction design.

Figure 1

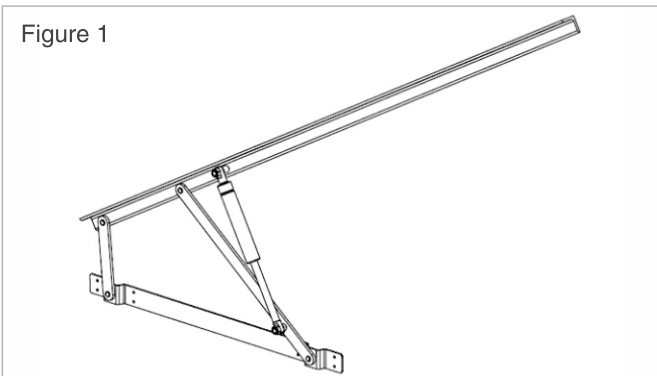


Figure 2

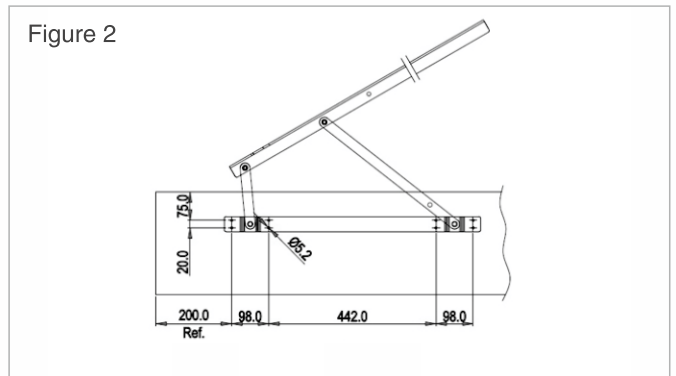


Figure 3

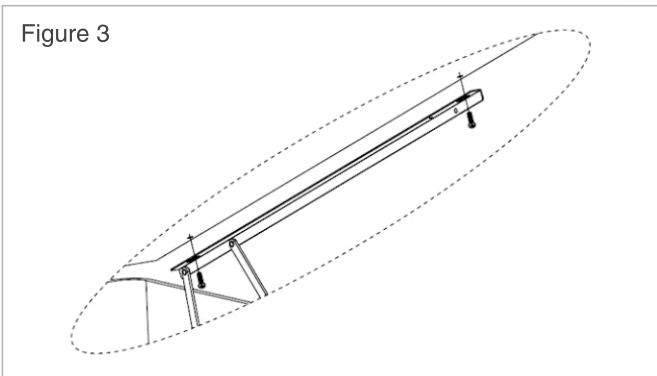
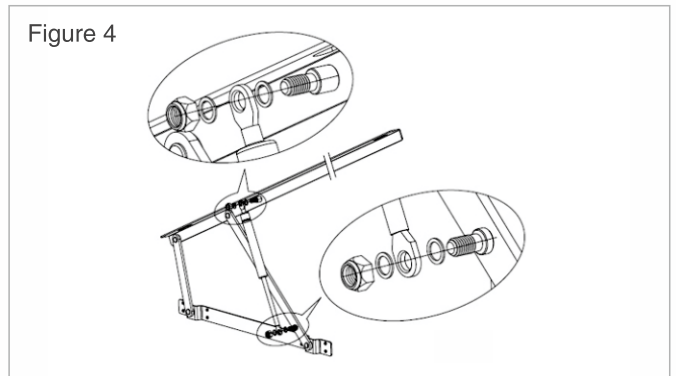


Figure 4



**CAUTION**

- Gas springs used are highly pressured, do not dismantle or damage and do not expose to heat or fire.
- Ensure that the top bed is locked properly with the bed frame.
- Do not tighten nut fully, Gas springs should be able to rotate.

[www.silvertechnocast.com](http://www.silvertechnocast.com)

**balentine**<sup>®</sup>  
ARCHITECTURAL FURNITURE FITTINGS

**SILVER TECHNOCAST**

Plot No. 2605/B, Road No. 11, Kranti Gate, G.I.D.C., Metoda,  
Dist. Rajkot - 360 021. (INDIA) **Phone** : +91 - 2827 - 287912, +91-63524-71378  
**E-mail** : silvertechnocast@yahoo.co.in **Web** : www.silvertechnocast.com

SINCE  
**1997**